

Line selector

IS205



Thank you very much for purchasing a Fostex product.
This manual provides instructions for basic use of the unit.
Read this before using the unit for the first time.

■ WARNINGS and PRECAUTIONS

- **CAUTION:** The symbol ⚡ To prevent electric shock hazard, do not connect to mains power supply while grille is removed.
- **WARNING:** An apparatus with CLASS I construction shall be connected to a MAINS socket outlet with a protective earthing connection.
- **CAUTION:** TO PREVENT ELECTRIC SHOCK, MATCH WIDE BLADE OF PLUG TO WIDE SLOT, FULLY INSERT.
- **WARNING:** To reduce the risk of fire or electric shock, do not expose this apparatus to rain or moisture.
- **CAUTION:** Use of any controls or adjustments or performance of procedures other than those herein specified may result in hazardous radiation exposure.
- **WARNING:** Changes or modifications to this unit not expressly approved by the party responsible for compliance could void the user's authority to operate the equipment.
- **WARNING:** Do not place the unit on top of any soft, porous, or sensitive surfaces to avoid damaging the surface. Use a protective barrier between the unit and surface to protect the surface.
- **WARNING:** Use of this unit near fluorescent lighting may cause interference regarding use of the remote. If the unit is displaying erratic behavior move away from any fluorescent lighting, as it may be the cause.
- **CAUTION:** Danger of explosion if battery is incorrectly replaced. Replace only with the same or equivalent type.

- **WARNING:** Do not install this equipment in a confined space such as a book case or similar unit.
- **WARNING:** Mains plug is used as disconnect device and it should remain readily operable during intended use. In order to disconnect the apparatus from the mains completely, the mains plug should be disconnected from the mains socket outlet completely.
- Do not mix old and new batteries. Do not mix alkaline, standard (carbonzinc), or rechargeable (ni-cad, ni-mh, etc) batteries.

CAUTION
RISK OF ELECTRIC SHOCK
DO NOT OPEN

WARNING: TO REDUCE THE RISK OF ELECTRIC SHOCK, DO NOT REMOVE COVER (OR BACK). NO USER-SERVICEABLE PARTS INSIDE. REFER SERVICING TO QUALIFIED SERVICE PERSONNEL.



The lightning flash with arrowhead symbol, within an equilateral triangle, is intended to alert the user to the presence of uninsulated "dangerous voltage" within the product's enclosure that may be of sufficient magnitude to constitute a risk of electric shock to persons.



The exclamation point within an equilateral triangle is intended to alert the user to the presence of important operating and maintenance (servicing) instructions in the literature accompanying the appliance.

■ IMPORTANT SAFETY INSTRUCTIONS

- 1) Read these instructions.
- 2) Keep these instructions.
- 3) Heed all warnings.
- 4) Follow all instructions.
- 5) Do not use this apparatus near water.
- 6) Clean only with dry cloth.
- 7) Do not block any ventilation openings. Install in accordance with the manufacturer's instructions.
- 8) Do not install near any heat sources such as radiators, heat registers, stoves, or other apparatus (including amplifiers) that produce heat.
- 9) Do not defeat the safety purpose of the polarized or grounding-type plug. A polarized plug has two blades with one wider than the other. A grounding type plug has two blades and a third grounding prong. The wide blade or the third prong are provided for your safety. If the provided plug does not fit into your outlet, consult an electrician for replacement of the obsolete outlet.
- 10) Protect the power cord from being walked on or pinched particularly at plugs, convenience receptacles, and the point where they exit from the apparatus.
- 11) Only use attachments/accessories specified by the manufacturer.
- 12) Use only with the cart, stand, tripod, bracket, or table specified by the manufacturer, or sold with the apparatus. When a cart is used, use caution when moving the cart/apparatus combination to avoid injury from tipover.
- 13) Unplug this apparatus during lightning storms or when unused for long periods of time.
- 14) Refer all servicing to qualified service personnel. Servicing is required when the apparatus has been damaged in any way, such as power supply cord or plug is damaged, liquid has been spilled or objects have fallen into the apparatus, the apparatus has been exposed to rain or moisture, does not operate normally, or has been dropped.
- 15) The apparatus shall be used in an open area.
- 16) Apparatus shall not be exposed to dripping or splashing and that no objects filled with liquids, such as vases, shall be placed on apparatus.
- 17) Mains plug is used as disconnect device. It shall remain readily operable and should not be obstructed during intended use. To completely disconnect the apparatus from supply mains, the main plug of the apparatus shall be disconnected from the mains socket outlet completely.



Introduction

■ Features of the IS205

- IS205 is an audio line selector with 2 inputs and 5 outputs.
- You can switch between several active speakers and 2 types of music source.
- Equipped with a volume knob to control the source volume.
- You can adjust the DIP switch settings to automatically switch between speakers.
- Equipped with highly reliable push switches.
- One of the 5 outputs is designed to be connected to a subwoofer or similar, and can be turned on and off independently.

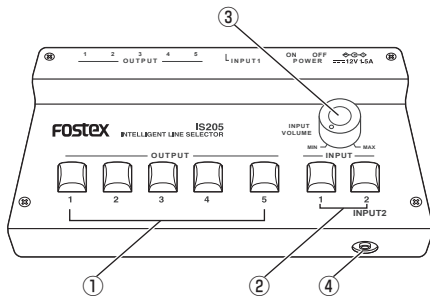
■ Accessories

Supplied accessories are listed below. Confirm that these accessories are present after purchase.

- AC adaptor × 1
- Owner's manual (this manual) × 1

Part names and functions

Top panel



① [OUTPUT] switches 1 - 5

Use to switch between outputs.
The color of the switches indicates their status.
Unlit: the switch is disabled (page 5)
Lights in green: the switch is enabled
Lights in yellow: the switch is selected

Note

- You can select only one switch from [OUTPUT1] to [OUTPUT4].
- The [OUTPUT5] switch can be turned on and off independently. It is for subwoofers.
- If you press the selected switch again, the output turns off (not selected).

② [INPUT] switches

Use to switch between input signals. The selected switch lights in red.

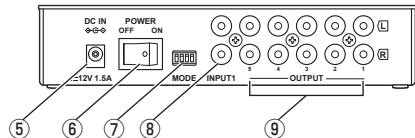
③ [INPUT VOLUME] knob

Use to adjust the output level of the unit.

④ [INPUT2] terminal

Connect to a portable audio player or similar using a stereo mini cable.

Rear panel



⑤ [DC IN] terminal

Connect to an outlet using the supplied AC adaptor.

⑥ [POWER] switch

Turn the unit on/off.

⑦ DIP switches for setting configuration ([MODE] switch)

Use to configure various settings.

⑧ [INPUT1] terminal

Connect to an audio player such as a CD player using an RCA pin cable.

⑨ [OUTPUT] terminal (1-5)

Connect to an active speaker or similar using an RCA pin cable.

Note

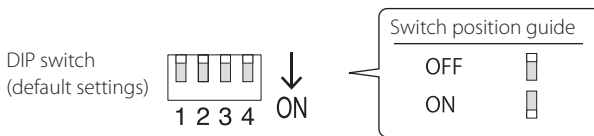
- Connect the line output of the audio player to the [INPUT1]/ [INPUT2] terminal.
- Connecting to speaker outputs of power amplifiers or similar is dangerous. Do not do this under any circumstances.

Settings

■ Enabling and disabling outputs

- 1 Turn off the power.
- 2 Turn on the power while holding down the [OUTPUT] switches (from 1 to 5) you want to enable. The enabled switches light in green. The unit memorizes which switches are enabled/disabled and will keep these settings the next time the device is turned on.

■ Configuring DIP switch settings



Automatic switching

Automatic switching enables the unit to switch automatically between outputs 1 to 4. You can turn the function on and off using DIP switches 1 to 3. You can set the switching interval between 5 seconds and 35 seconds in 5 second increments. The following table shows how to configure the DIP switches for each switching interval length.



1 (5 seconds)	2 (10 seconds)	3 (20 seconds)	Set interval length (seconds)
OFF	OFF	OFF	The function is turned off
ON	OFF	OFF	5
OFF	ON	OFF	10
ON	ON	OFF	15
OFF	OFF	ON	20
ON	OFF	ON	25
OFF	ON	ON	30
ON	ON	ON	35

Note

- Automatic switching cannot be used with OUTPUT5.
- When you press an [OUTPUT] switch from 1 to 4 while automatic switching is on, the function turns off for 30 seconds.

Automatic standby

When DIP switch no. 4 is on, if no OUTPUT is selected for approximately 4 hours, the unit automatically goes into standby. In standby, all LED turn off and power consumption is reduced to 0.5 W or below. Automatic standby is canceled when you press either an [INPUT] or [OUTPUT] switch, or turn the power switch on or off. The unit does not enter automatic standby when the DIP switch is off.

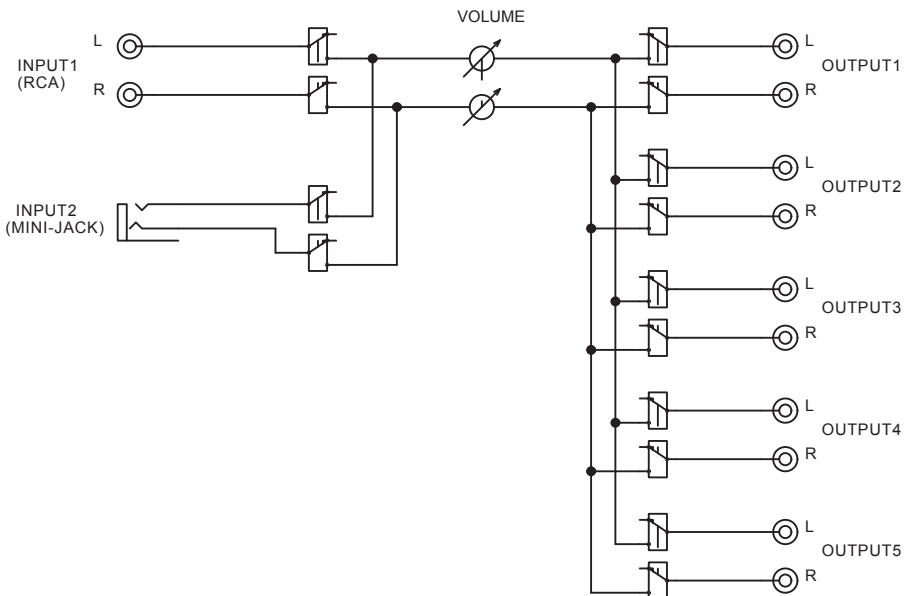


4	Setting time (seconds)
OFF	Auto standby is off
ON	Auto standby is on

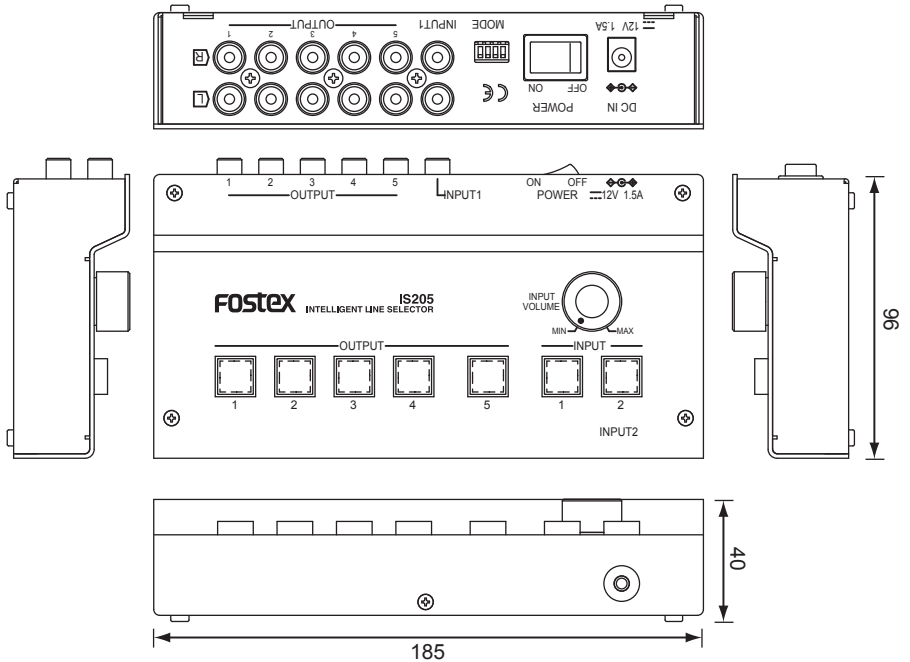
Note

- When automatic switching is turned on, the unit does not enter automatic standby regardless of the DIP switch setting.

Block diagram



Dimensional drawings



Specifications

[INPUT 1] terminal	Connector	RCA pin jack
[INPUT 2] terminal	Connector	Φ3.5 mm stereo mini jack
[OUTPUT] 1 - 5 terminals	Connector	RCA pin jack
Power	12 V DC	
Power consumption	2.4 W maximum (automatic standby mode: 0.5 W or below)	
External dimensions (mm)	185 (width) × 40 (height, including rubber feet) × 96 (depth)	
Weight	470 g	

Declaration of EC Directive

This equipment is compatible with the EMC Directive (2004/108/EC) - Directive on approximation of member nation's ordinance concerning the electromagnetic compatibility and with the Low Voltage Directive (2006/95/EC) - Directive on approximation of member nation's ordinance concerning electric equipment designed to be used within the specified voltage range.

The Affect of Immunity on This Equipment

The affect of the European Specification EN61000-6-1 (coexistence of electromagnetic waves - common immunity specification) on this equipment are as shown below.

In the electrical fast transient/burst requirements, surge, conducted disturbances by radio-frequency fields, power frequency magnetic field, radiate electromagnetic field requirements and static electricity discharging environment, this could be affected by generation of noise in some cases.

FOSTEX DISTRIBUTORS LIST IN EUROPE

* Including non-EU countries (as of Oct. 2014)

Austria NAME: Mega Audio GmbH ADD: Stromberger Str. 32, 55411 Bingen, Germany TEL: (+49) 6721-94330, FAX: (+49) 6721-32046 Email: info@megaaudio.de Web Site: http://www.megaaudio.de	Hungary NAME: Mega Audio GmbH ADD: Stromberger Str. 32, 55411 Bingen, Germany TEL: (+49) 6721-94330, FAX: (+49) 6721-32046 Email: info@megaaudio.de Web Site: http://www.megaaudio.de	Spain & Portugal NAME: ATCONSUMER (Consumer, Hi-Fi system & Speaker Components) ADD: PO BOX 15, 08340 Vilassar de Mar, Barcelona, Spain TEL: (+34) 609 288310 Email: info@atconsumer.es Web Site: http://www.atconsumer.es
Belgium NAME: XLR sprl/bvba ADD: Pierre Strauvenstraat 24, 1020 Brussels, Belgium TEL: (+32) 2 520 0827, FAX: (+32) 2 521 1977 Email: info@xlrp.be Web Site: http://www.xlrp.be	Italy NAME: Backline S.r.l. ADD: Via dell'Aprica, 16 - 20158 Milano, Italy TEL: (+39) 02 6901 5709, FAX: (+39) 02 6901 5645 Email: info@backline.it Web Site: http://www.backline.it	Spain & Portugal NAME: Letusa (Pro Audio Products Only) ADD: C/Laguna No.10, Poligono Industrial Urtinsa, 28923 Alcorcon, Madrid, Spain TEL: (+34) 91-4862800, FAX: (+34) 91-6414597 Email: info@letusa.es Web Site: http://www.letusa.es
Czech NAME: Praha Music Center spol s.r.o. ADD: Ocelarska 937/39, Praha 9, 190 00, Czech TEL: (+420) 226-011-111, FAX: (+420) 226-011-112 Email: info@pmc.cz Web Site: http://www.pmc.cz	Italy NAME: Art of Music sas (Hi-Fi system & Speaker Components) ADD: Via Dal Lino 23/2, 40134 Bologna, Italy TEL: (+39) 347 253215 Email: artofmusic@libero.it Web Site: http://www.balloacoustics.it	Sweden NAME: Benum Nordic AS ADD: Aldermansvagen 17, 171 48 Solna, Sweden TEL: (+46) 8 207710 Email: sweden@benum.com Web Site: http://www.benum.se
Denmark NAME: SC Sound A/S ADD: Dalgas Alle 15, DK-6600 Vejen, Denmark TEL: (+45) 4399 8877, FAX: (+45) 4399 8077 Email: mail@sc-sound.dk Web Site: http://www.sc-sound.dk	The Netherlands NAME: Iemke Roos Audio B.V. ADD: Kuiperbergweg 20, 1101 AG Amsterdam, The Netherlands TEL: (+31) 20-697-2121, FAX: (+31) 20-697-4201 Email: sales@iemkeeroos.nl Web Site: http://www.iemkeeroos.nl	Sweden, Norway, Finland & Denmark NAME: Supersonic Svenska AB (Speaker Components Only) ADD: PO BOX 42043, 126 12 Stockholm, Sweden TEL: (+46) 8 744 4700 Email: johan@supersonic.se
Finland NAME: Noretron Oy Audio ADD: Mankkaantie 32, FIN-02180 ESPOO, Finland TEL: (+358) 10-525-8000, FAX: (+358) 10-525-8010 Web Site: http://www.noretron.fi	Norway NAME: Siv. Ing. Benum AS ADD: P.O. Box 145, Vinderen, 0319 Oslo, Norway TEL: (+47) 2213 9900, FAX: (+47) 2214 8259 Email: post@benum.no Web Site: http://www.benum.no	Switzerland NAME: Audio Bauer Pro AG ADD: Bernerstrasse-Nord 182, CH-8064 Zurich, Switzerland TEL: (+41) 44 432 3230, FAX: (+41) 44 432 6558 Email: info@audio-bauerpro.ch Web Site: http://www.audio-bauerpro.ch
France NAME: Sennheiser France ADD: 128 bis, avenue Jean-Jaures, 94851 Ivry-sur-Seine Cedex, France TEL: (+33) 1 4987 0300, FAX: (+33) 1 4987 0234 Web Site: http://www.sennheiser.fr	Poland NAME: Mega Music Spolka z o.o ADD: Ul. Lesna 15, 81-876 Sopot, Poland TEL: (+48) 58-551-18-82, FAX: (+48) 58-551-18-72 Email: prog@megamusic.pl Web Site: http://pro.megamusic.pl	Turkey NAME: Radikal Elektronik Ltd. Sti. ADD: Inhamur-Yildiz Cad. Kessaf Sok. 4/12 Besiktas, Istanbul 34353, Turkey TEL: (+90) (212) 259 7971, FAX: (+90) (212) 259 7993 Email: radikal@radikaltr.com Web Site: http://www.radikaltr.com
France NAME: Selectronic (Speaker Components Only) ADD: Zac de L'Oree du Golf, 16 rue Jules Verne, 59790 Ronchin, France TEL: (+33) 328 550 328, FAX: (+33) 328 550 329 Email: contact@selectronic.fr	Russia NAME: MS-MAX ADD: Entrance 12B, Kutuzovskiy prospekt, 30/32, 121165, Moscow, Russia TEL: (+7) 495-234-0006, FAX: (+7) 495-249-8034 Email: office@ms-max.ru Web Site: http://www.ms-max.ru	Turkey NAME: Extreme Audio ADD: Sheraton Istanbul Maslak Kat B2 Buyukdere Cad. Nr:233 Uycui Meykii 34398 Maslak Istanbul Turkey TEL: +90 444 3760 Email: bahadi@extreme-audio.com Web Site: https://www.extreme-audio.com
France NAME: Hamy Sound (Headphones and USB DAC Only) ADD: 28 Rue Edith Cavell, 92400 Courcouronnes, France TEL: (+33) 1 4788 4702, FAX: (+33) 1 4789 4872 Email: sav@hamysound.com Web Site: http://www.hamysound.com	Russia NAME: BLADE Group of Companies ADD: Elizavetinskij per; 12 Moscow 105005, Russia TEL: +7 495 276 2076 FAX: +7 495 276 2076 Email: info@blade.ru Web Site: http://www.blade.ru/	UK NAME: SCV London ADD: Unit C1 Belton Industrial Estate, Geddings Road, Hoddeson, Hertfordshire, EN11 0NT, UK TEL: (+44) 03 301 222500, FAX: (+44) 20-8418-0624 Email: fostex@scvlondon.co.uk Web Site: http://www.scvlondon.co.uk
Germany NAME: Mega Audio GmbH ADD: Stromberger Str. 32, 55411 Bingen, Germany TEL: (+49) 6721-94330, FAX: (+49) 6721-32046 Email: info@megaaudio.de Web Site: http://www.megaaudio.de	Russia NAME: Qvinta Company LLC ADD: Building 2, Street 26A, Dmitriy Uliyanova, Moscow 117036 Russia TEL: +7 495 787 7767 Web Site: http://www.qvinta-audio.ru	Ukraine NAME: A & T Trade Petrosnop ADD: 29, Obolon'skaya Str., Kiev, Ukraine 04071 TEL: (+380) 44-462-5358, FAX: (+380) 44-462-5092 Email: atrade@atrade.kiev.ua Web Site: http://kiev.attrade.ru

FOSTEX FOSTEX CO.

1-1-109, Tsutsujigaoka, Akishima City, Tokyo, 196-8550, Japan