

W300AII

Features

- 300mm (12in) cone type woofer
- $\varnothing 76\text{mm}/1.1\text{kg}$ larger alnico magnet
- Fine-ceramics multi-coated cone
- fo to 3kHz frequency response



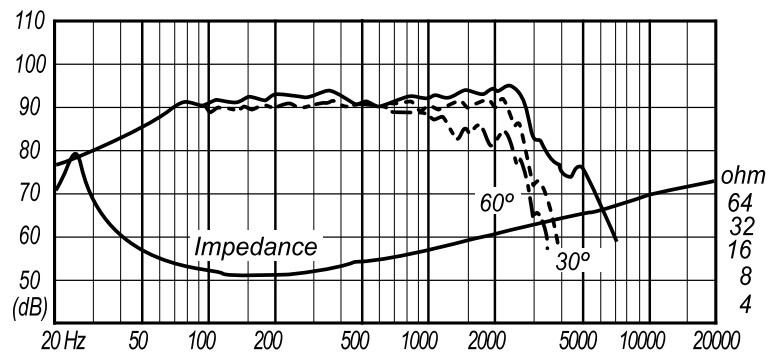
Specifications

& Thiele/Small Parameters

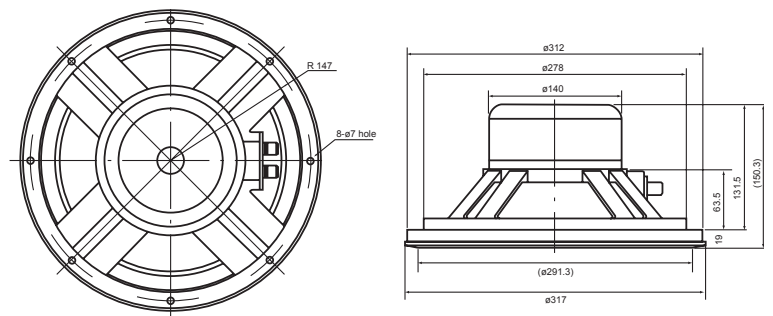
Size	:	300 mm / 12 in
Voice Coil Diameter	:	80 mm / 3 in
Cast / Stamped	:	Cast
Impedance	:	8 Ω
Reproduction Frequency Response	:	fs - 3.0 kHz
Sound Pressure Level	:	93 dB/W(m)
Rated Input	:	50 W
Music Power	:	150W
Magnet Material	:	Alnico
Magnet Weight	:	
(main)	:	1,100 g / 2.42 lb
(cancel)	:	g / lb
Net Weight	:	6,300 g / 13.9 lb

a	:	131 mm
D	:	262 mm
Sd	:	0.0539 m ²
Zn	:	8 Ω
Fs	:	25 Hz
Re	:	7.0 Ω
Le	:	0.1 mH
Qms	:	9.17
Qes	:	0.29
Qts	:	0.28
Mms	:	92.7 g
BL	:	18.75 Telsa/m
Vas	:	227.01 L
Xmax	:	6.5 mm
Eff/ $\eta 0$:	1.20 %
Cms	:	0.056 mm/N
EBP	:	86

Frequency Response / Impedance



Dimensions & Mounting Information



Overall Diameter	:	317 mm / 12 in
Baffle Hole Diameter	:	278 mm / 11 in
Depth	:	180 mm / 7 in